

FLORENCE ERGO TOWER PIN with RH360r



StylGame s.r.l.

Office: Via Cavallegeri di Saluzzo, 2, Spilimbergo (PN) - Italy

Tel. +39.0427.595011 **E-mail:** sales@stylgame.com

Website: www.stylgame.com

PRODUCT FEATURES

SEAT

Florence Ergo

Ergonomic seat ideal for all gaming applications.

Seat with padding in flexible injection-molded polyurethane with medium **softness** (different padding densities available).

Seat with **flat surface** that allows easy and frequent changes of position necessary to optimize comfort during extended play time.

Removable backrest slipcover with zipper, optional **removable seat slipcover**.

Customizable coatings colors and materials with optional antibacterial properties.

FRAME

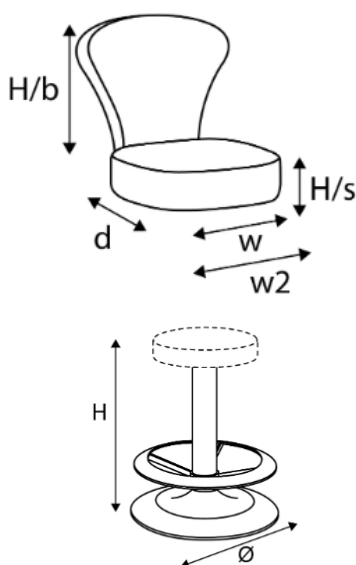
Tower Pin

Tower line signature model, **designed** by Pininfarina.

Pedestal frame in **chrome-plated steel** (Threechromium – ecological and antibacterial chromium), available in various heights, **circular footrest**, **anti-tipping round base** featuring an **anti-scratch gasket**.

Customizable platings and coatings.

With patented rotation mechanism RH360R.



H/s	12.00cm - 4.72in
w	45.00cm - 17.72in
d	41.00cm - 16.14in
w2	51.00cm - 20.08in
H/b	38.00cm - 14.96in
H	55.00cm - 21.65in
H	61.00cm - 24.02in
H	65.00cm - 25.59in
H	69.00cm - 27.17in
H	73.00cm - 28.74in
H	79.00cm - 31.10in
Ø	49.00cm - 19.29in

StylGame s.r.l.

Office: Via Cavalleggeri di Saluzzo, 2, Spilimbergo (PN) - Italy

Tel. +39.0427.595011 E-mail: sales@stylgame.com

Website: www.stylgame.com

EUROPEAN CERTIFICATIONS

Seat Front Edge fatigue Strength Test EN 1728:2000 level 3 severe
Seat and Backrest Fatigue Test EN 1728: 2000 level 3 severe
Static Front Edge load test EN 1728:2000 level 3 severe
Static Front Edge load test EN 1728:2000 level 3 severe
Stability Certificate EN 1022:05
Footrest Fatigue Strength Test EN 1728:2000 level 3 severe
Footrest Static Load test EN 1728:2000 level 3 severe

ANSI-BIFMA CERTIFICATIONS

Seating durability test - Cyclic - ANSI-BIFMA X5.1-2002/11
Back durability test - Cyclic -Type II and III ANSI-BIFMA X5.1-1-2002/16
Backrest strength test - Static ANSI-BIFMA X5.1-2002/6
Drop test - Dynamic - ANSI-BIFMA X5.1-2002/8
Stability test ANSI-BIFMA X5.1-2002/12
Footrest durability test ANSI-BIFMA X5.1-2002/19

FIRE APPROVALS

Fire resistance homologation 1.IM
Fire resistance homologation AM 18
Fire resistance homologation UNE-EN 1021-1:2006
Fire resistance homologation UNE-EN 1021-2:2006
Fireproof valid for local law requirements

Seat upholstery



Fabric



Velvet



Microfiber



Leather



Similar Leather

Frame finishes



Threechromium



Brass



Shiny Copper



Carbon



Satin Carbon



Satin Chrome



Satin Brass



Multiple Choice Finishing



Upon Request



Black Varnish



Silver Varnish



Arabesque Copper



Antique Brass



Satin Copper



Gold Varnish

Options



Fireproof Coatings



Antibacterial Coatings



Softness of the seat customized



Removable lining



Embroidered logo



Decorative stitch



Decorative border in relief



Bicolor



Armrests



Handle incorporated in the backrest



Handle under the backrest



Seat rotation with RH height adjustment



Seat Rotation



55 cm / 21.65 inches base



Antibacterial paints



Finishes based on customer samples



Fix base



Height adjustable footrest

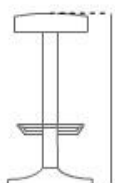
StylGame s.r.l.

Office: Via Cavallegeri di Saluzzo, 2, Spilimbergo (PN) - Italy

Tel. +39.0427.595011 E-mail: sales@stylgame.com

Website: www.stylgame.com

PATENTED ROTATION MECHANISM: RH360R



Available height adjustments :

48>64 cm – 18,9”> 25,2”
55>71 cm - 21,65”> 27,95”
65>81 cm - 25,59”> 31,89”



Patented model

Description:

360° rotation:

- with auto-return to center
- with clutch mechanism
- with height adjustment to be chosen among:

h=18.90/25 in., h=21.65/27.95 in. and 25.59/31.88 in. (6.29 in. range) – all heights with footrest.

To optimize the seat height to the playing panel, StylGame® conceived and manufactured a new seat rotation mechanism, designed by our technical team and protected by two international patents.

This one-piece mechanism incorporates **3 main functions**:

- 1) the **“clutch”** on the swivel system acts as a break on the micro side rotations of the chair caused by the player’s arm movement during the playing session. This swivel would be instinctively contrasted by the player engaging the lumbar region and causing lower back pain;
- 2) the **360° seat rotation** with automatic return to centre comes into operation only when the player stands up. While playing, the player doesn’t need to contrast the return to centre push that all other mechanisms have. Therefore, he can play in a relaxed position without engaging the parts of the body that would try to oppose to such force;
- 3) the **height adjustment** is important to optimize the player correct posture to the playing panel on different machine brands, using the same seat and applying the Play in Comfort® Basic System.

StylGame s.r.l.

Office: Via Cavallegeri di Saluzzo, 2, Spilimbergo (PN) - Italy

Tel. +39.0427.595011 E-mail: sales@stylgame.com

Website: www.stylgame.com